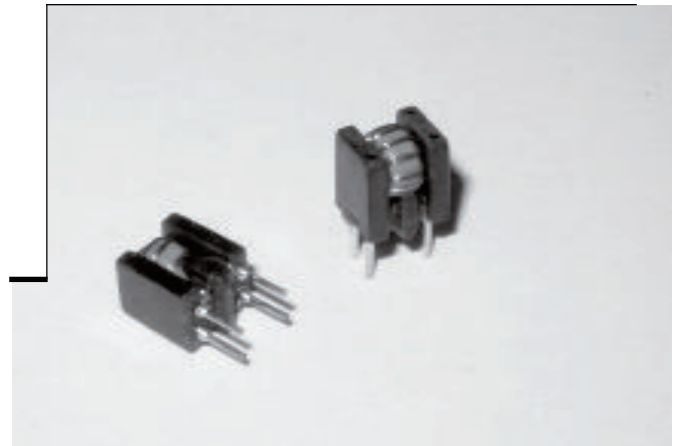
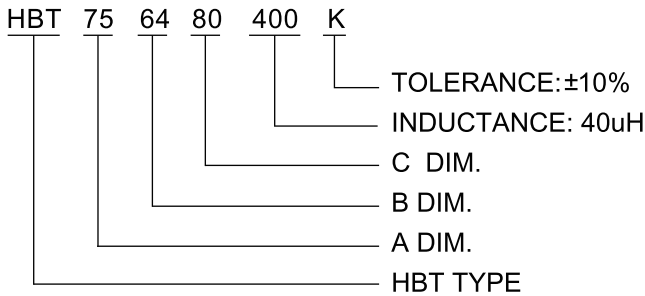
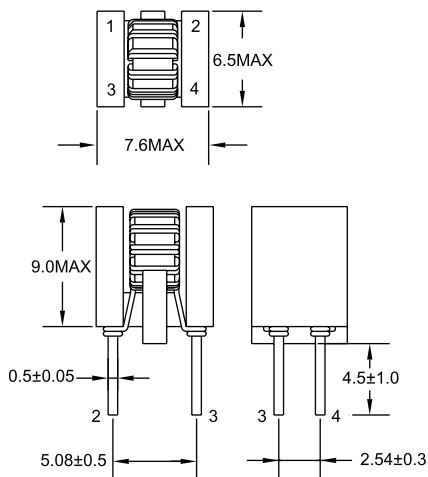


### HBT TYPE

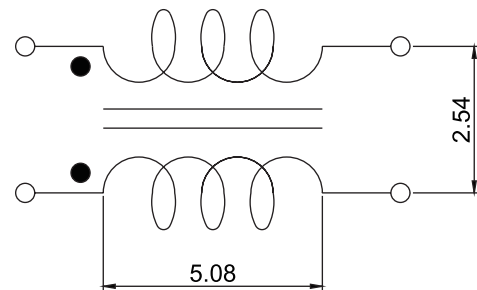
#### COIL CODE



#### CONSTRUCTION (m/m)



#### CIRCUIT DIAGAM



#### ELECTRICAL SPECIFICATIONS

Unit: m/m

ITEM	L	DCR	IDC	RATED VOLTAGE	MIN. INSULATION RESISTANCE
HBT756480	(uH)	(mΩ)	(mA)	(V)	(mΩ)
400	40 ± 50%	35	500	50	10
600	60 ± 50%	50	500	50	10
800	80 ± 50%	60	500	50	10

#### MATERIALS

- (1) CORE : FERRITE TR CORE
- (2) BASE : PHENOLIC T375J
- (3) PIN : CP WIRE
- (4) WIRE : ENAMELLED COPPER WIRE

#### GENERAL CHARACTERISTICS

- (1) STORAGE TEMP. : -25°C-----+85°C
- (2) OPERATING TEMP. : -20°C-----+80°C
- (3) TEMP. RISE : 20°C MAX. AT RATED CURRENT

\* All parameters as this content presented are subject to final specifications both sides confirmed.